

# Outreach Arm (ARM-W)

## Product Features

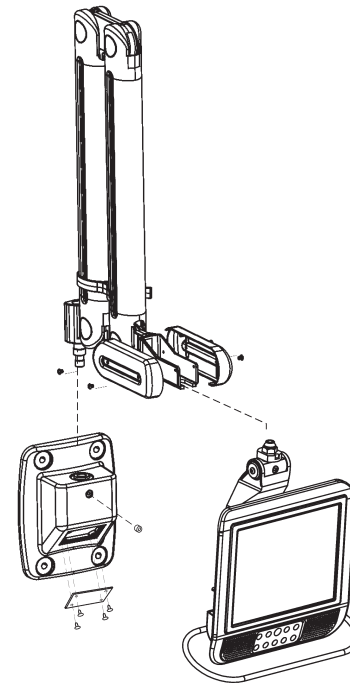
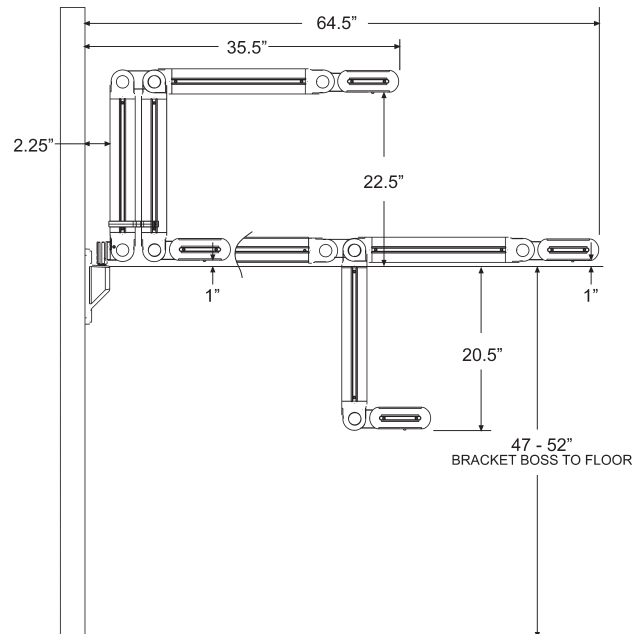
- Modern Clean Design
- No exposed Cables
- No pinch points
- No calibration
- No springs, designed and built with gas struts
- Easy to clean and maintain
- The Outreach can support multiple cables
- Silent Arm Movement
- Constant set placement
- 3/4 inch base pin for better stability
- Removable locking clasp
- Ease of cable restring as necessary
- Coax, CAT5e, and Power cables built-in

Maximum TV Height 22.5" from mounting bracket  
Minimum Viewing Height 20.5" below mounting bracket  
Maximum Reach 64.5"

Weight 15.4 lbs

Load Capacity 14 lbs.

Warranty 2 years



113 Commerce Blvd  
Loveland, OH 45140  
(800) 783-8105  
[www.hci-tv.com](http://www.hci-tv.com)