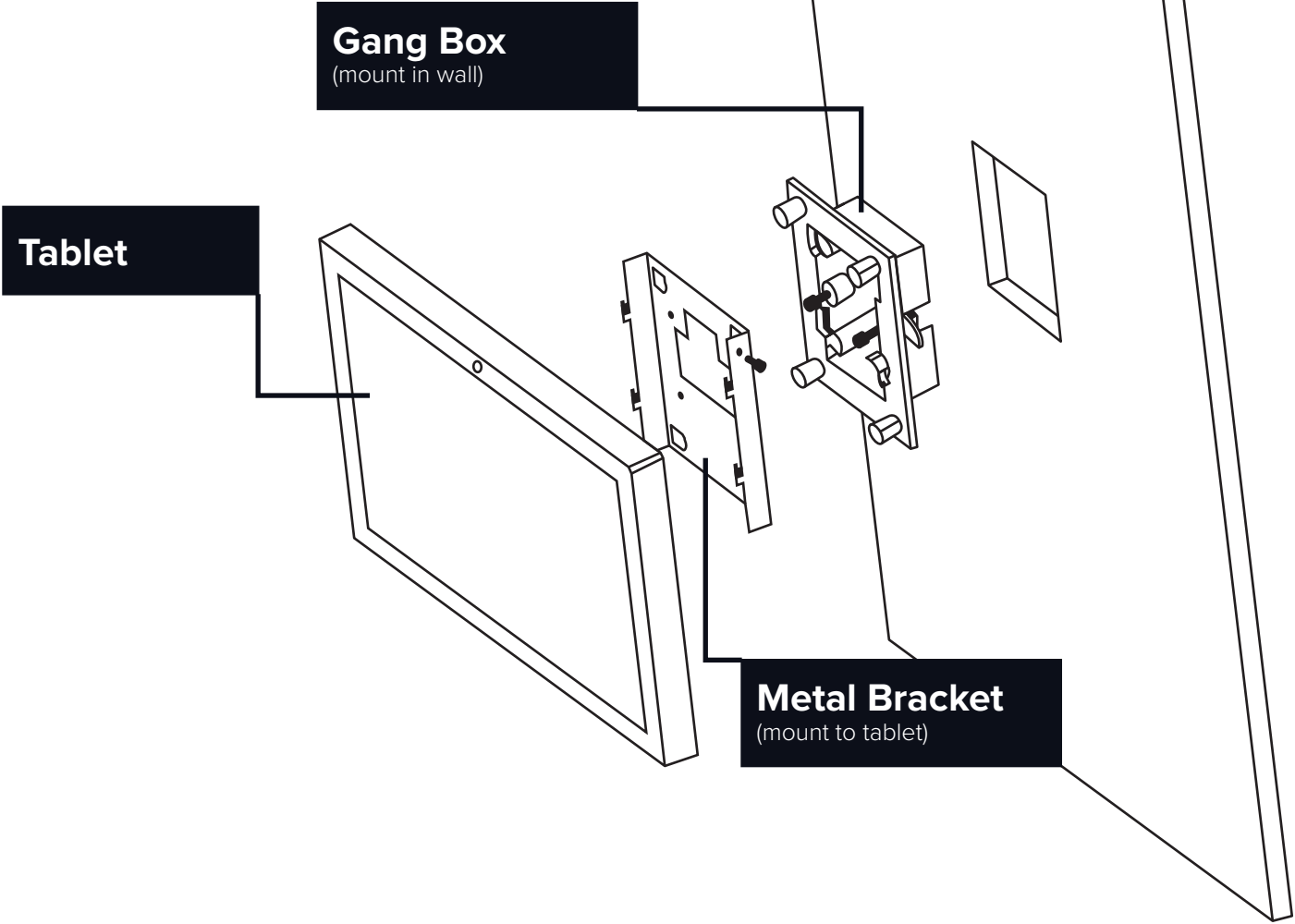
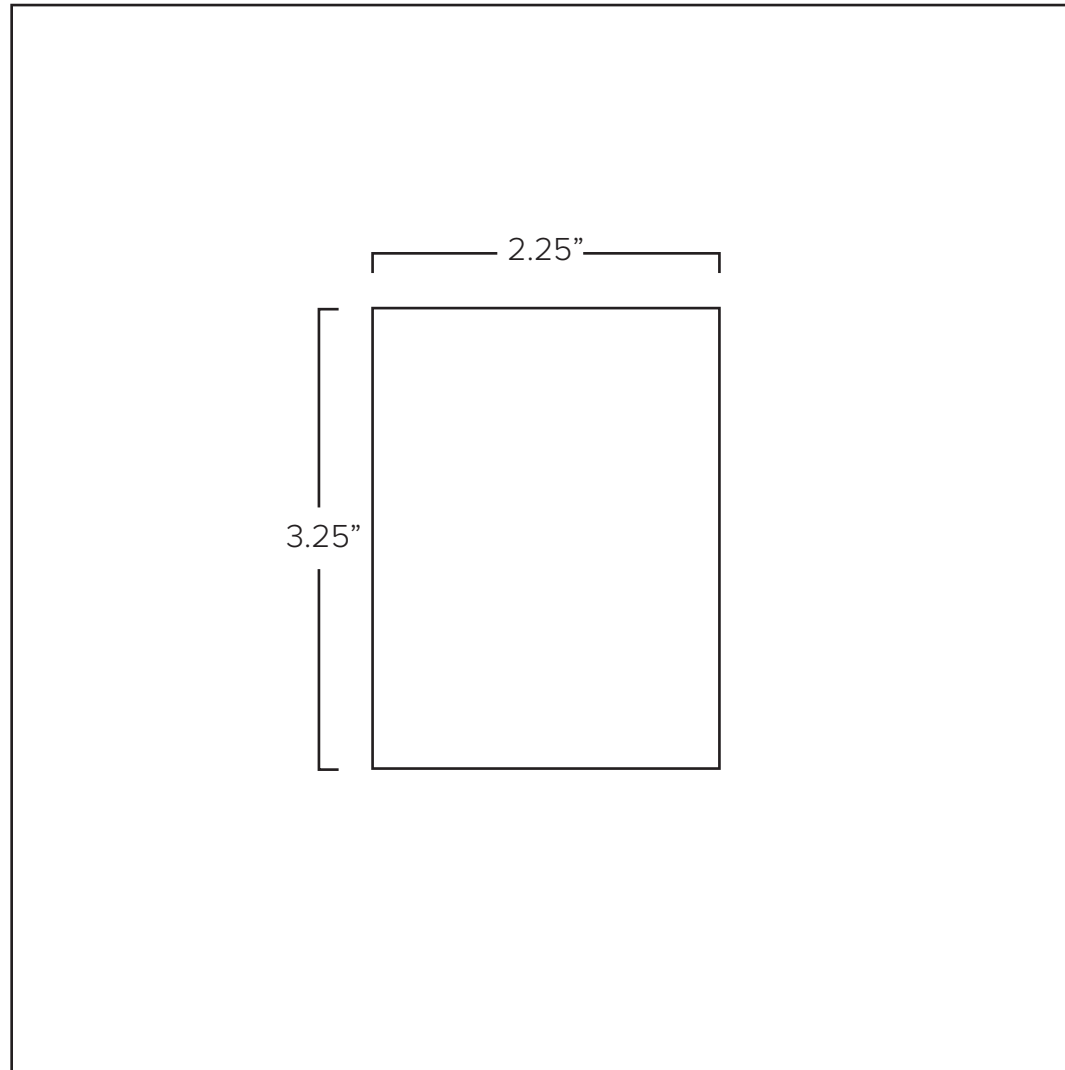


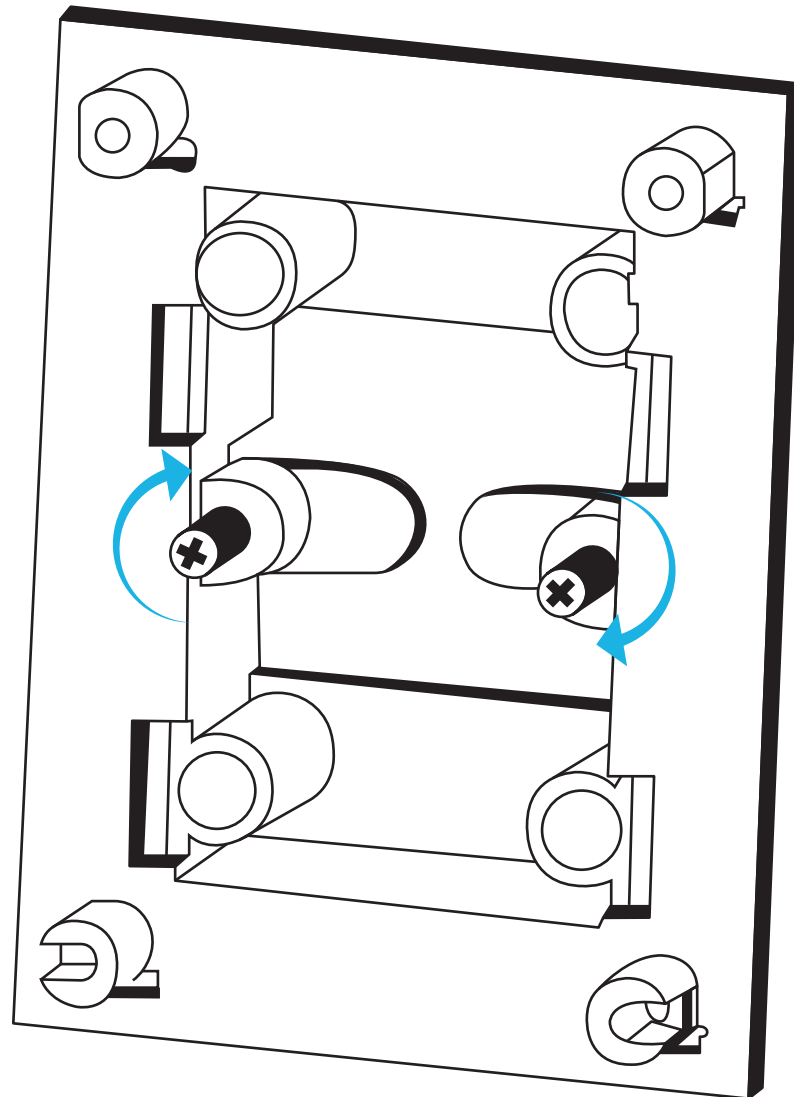
Exploded Mounting Diagram:



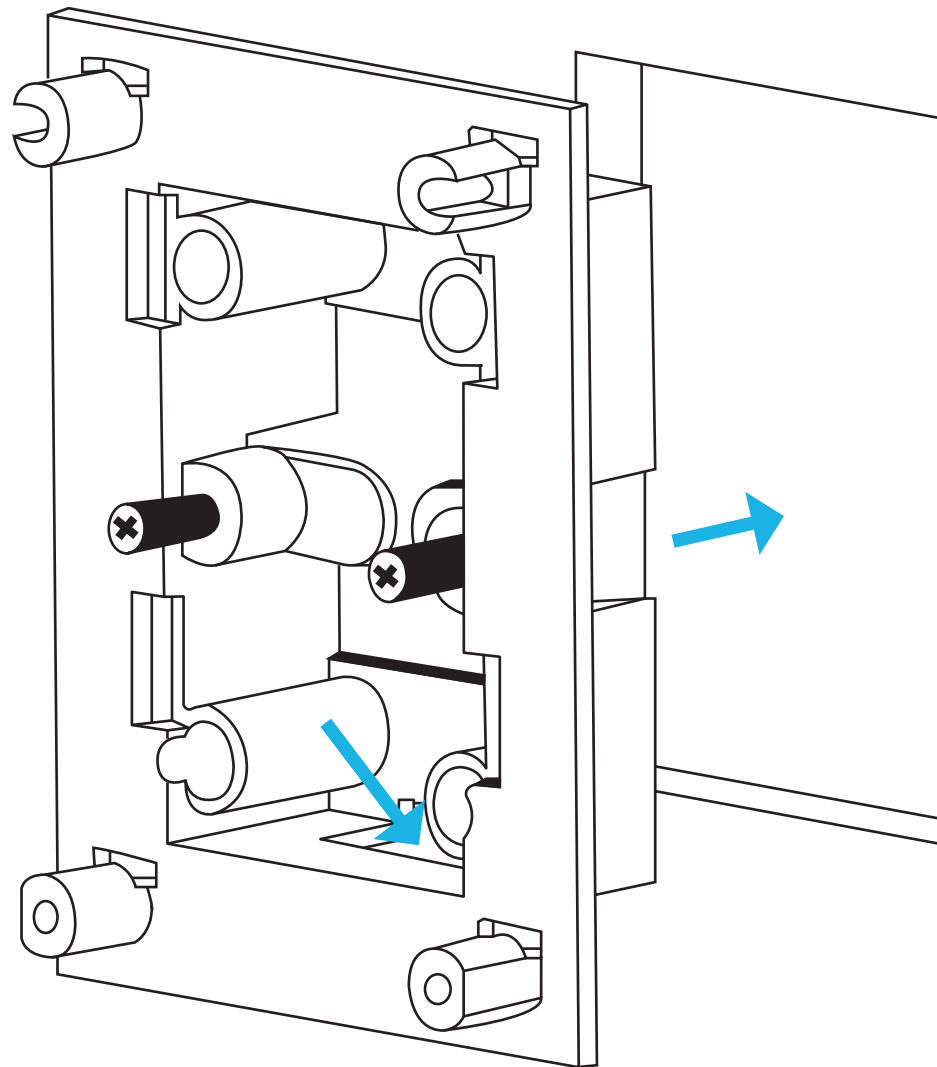
Step 1: Cut hole in wall according to diagram below:



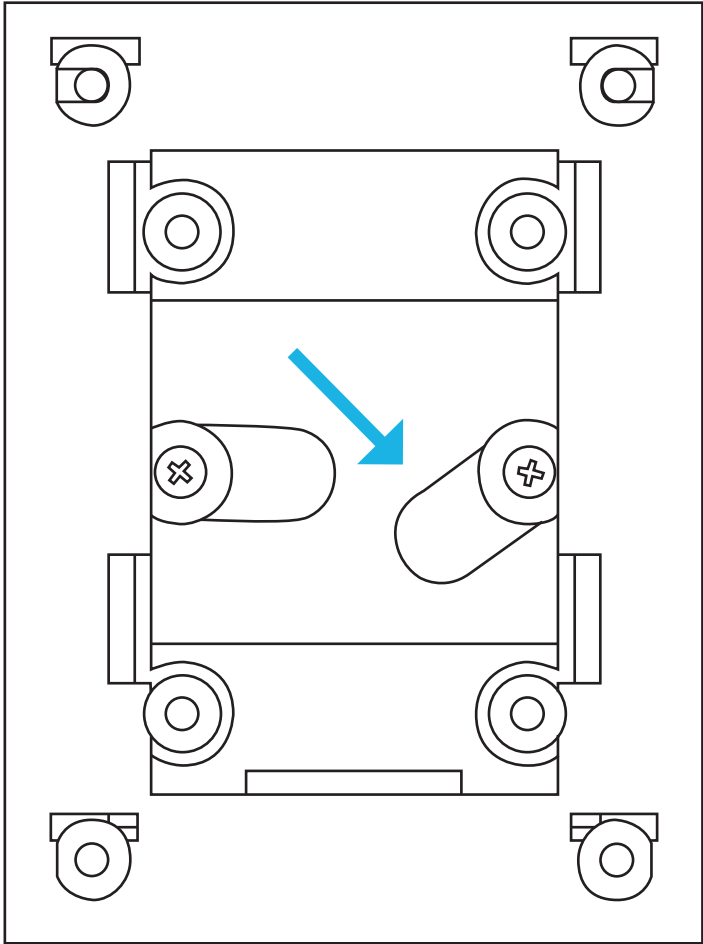
Step 2: Locate Gang Box and rotate metal tabs as shown:



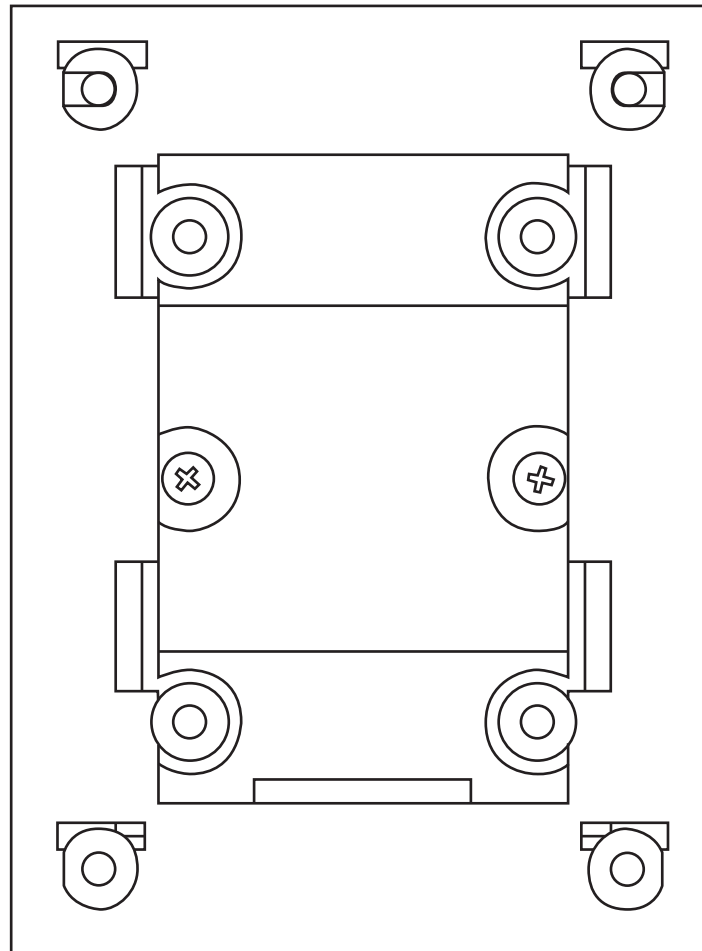
Step 3: Insert Gang Box into hole in wall. Make sure hole in Gang Box is oriented as shown so wires can be installed from below:



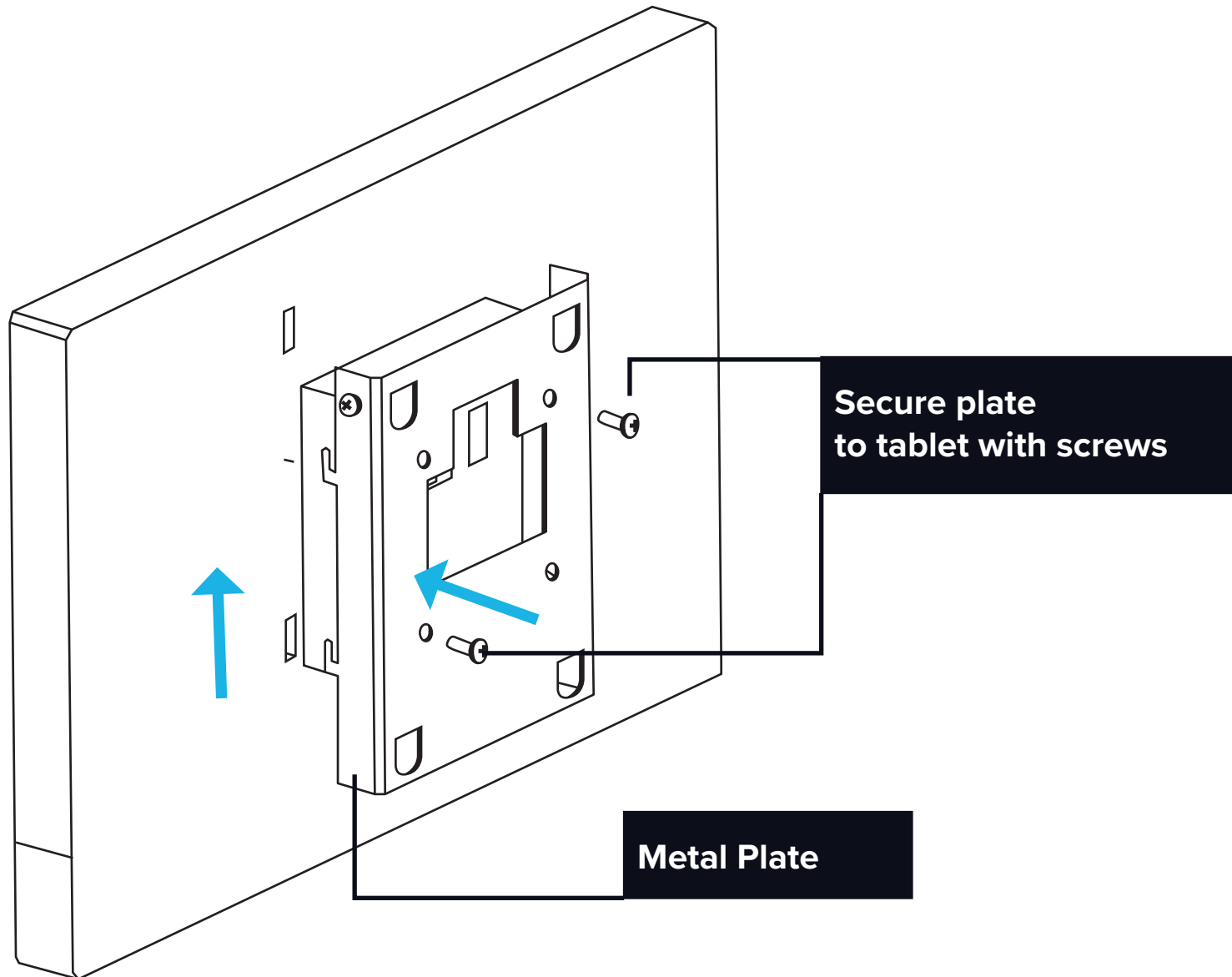
Step 4: Push screw in and rotate metal tabs as shown:



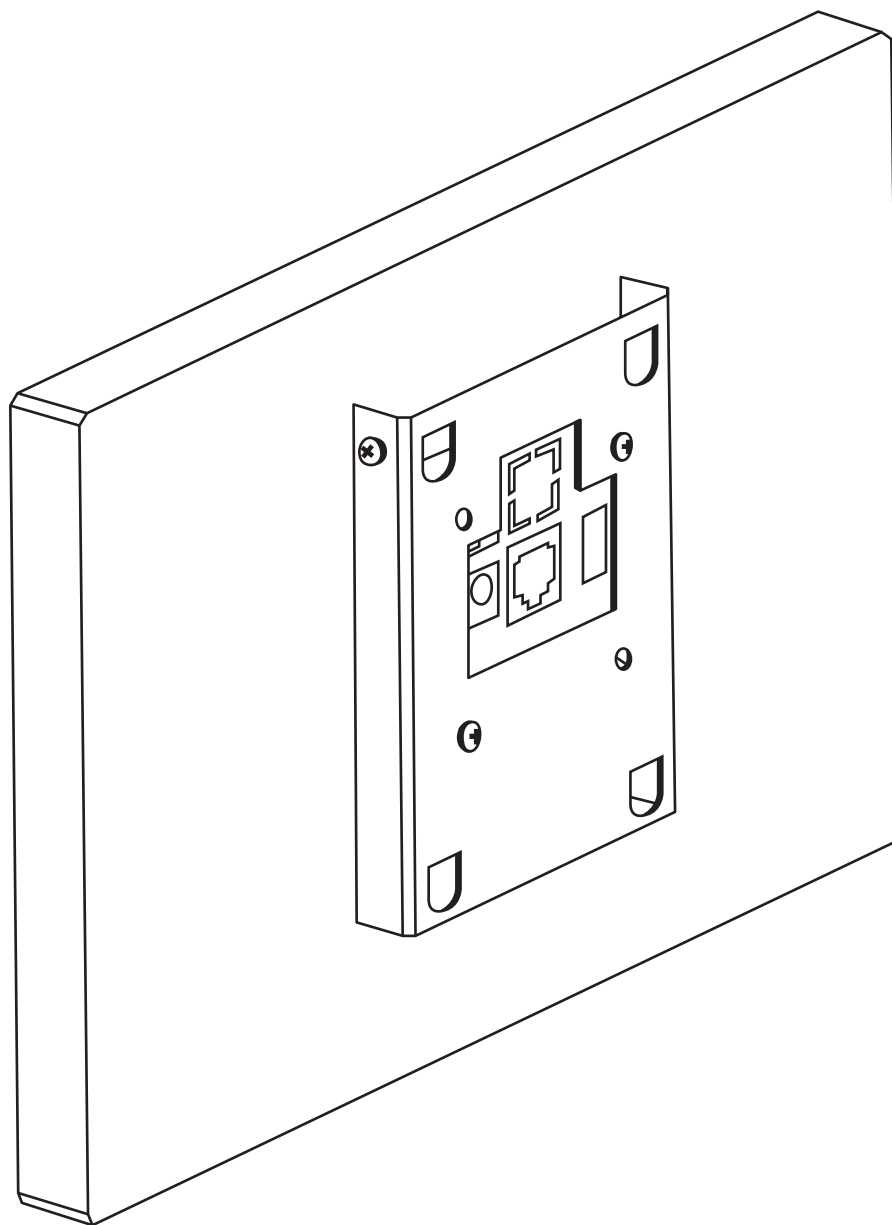
Step 5: Metal tabs should now not be visible — see below.
Tighten screws to secure box to wall:



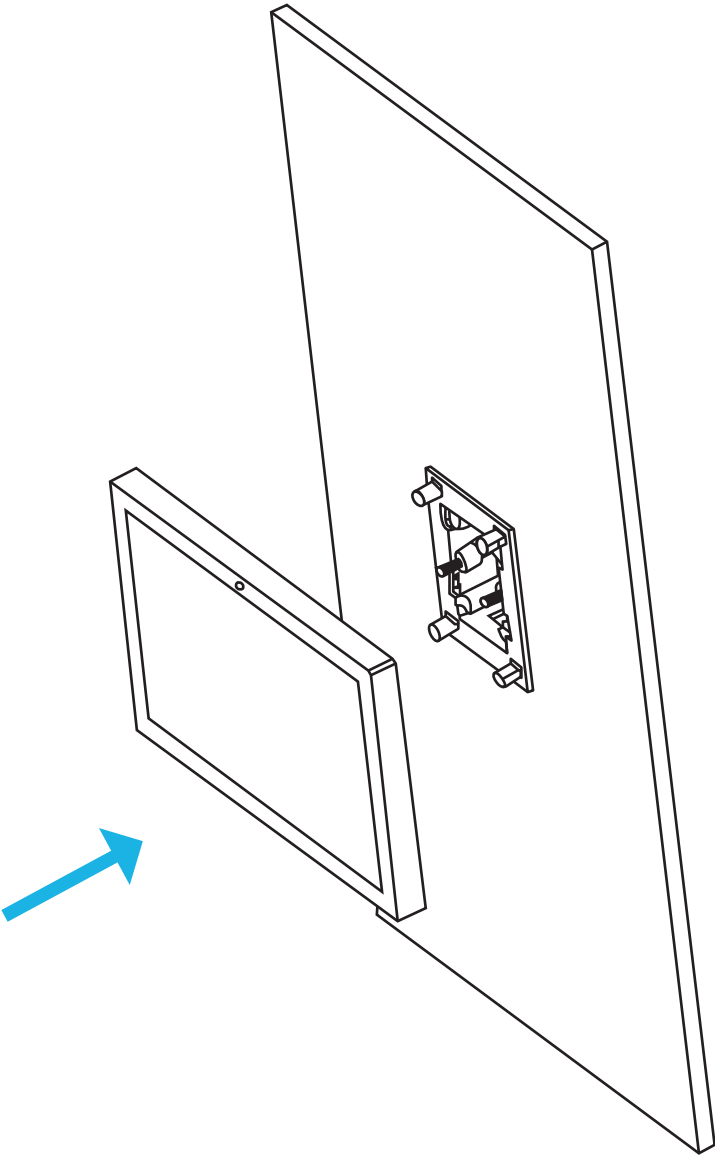
Step 6: Attach metal bracket to rear of tablet. Push the bracket into the tablet and slide up. Secure plate to tablet using screws as shown:



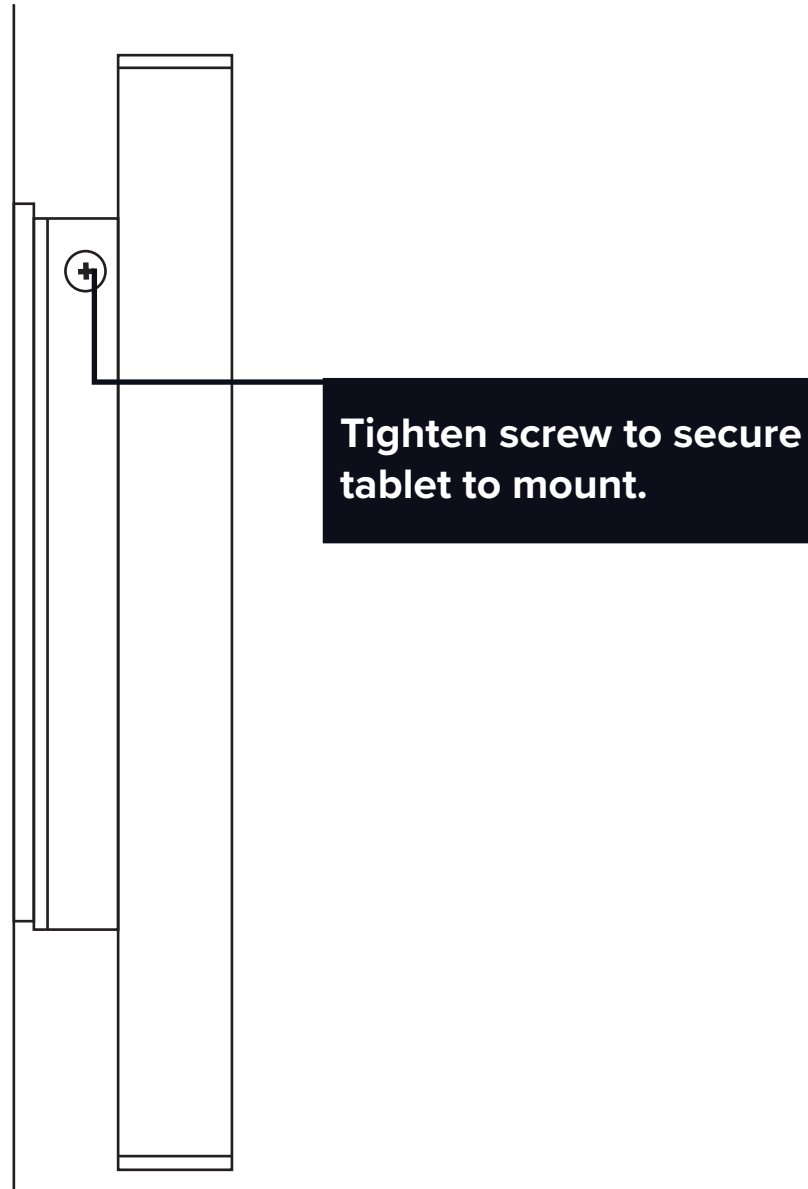
Metal Bracket correctly installed on tablet:



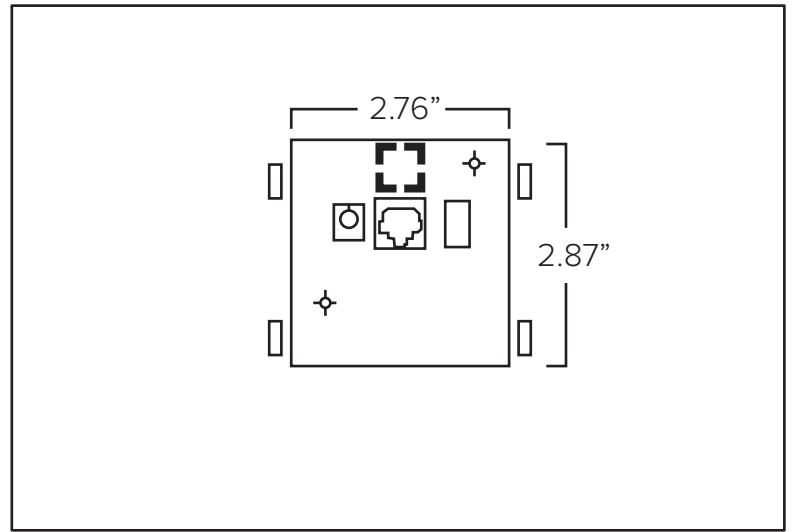
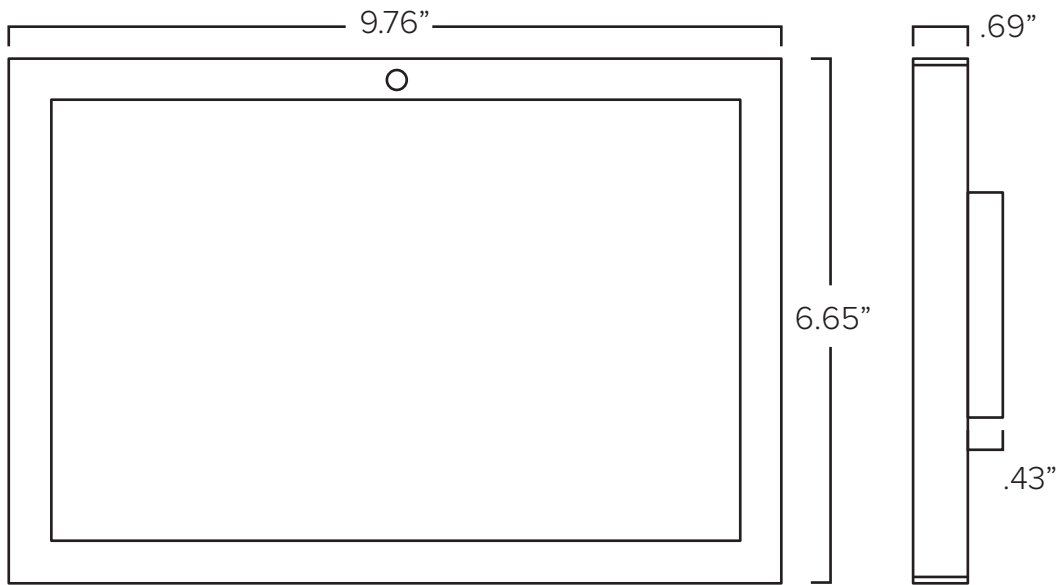
Step 7: Attach wiring to Tablet ports and align Metal Bracket with Gang Box. Push Tablet onto wall:



Step 8: Tighten screw as shown to secure Tablet to wall.
Screws are located on both sides.



Tablet Dimensions:



Mount Dimensions (Gang Box):

