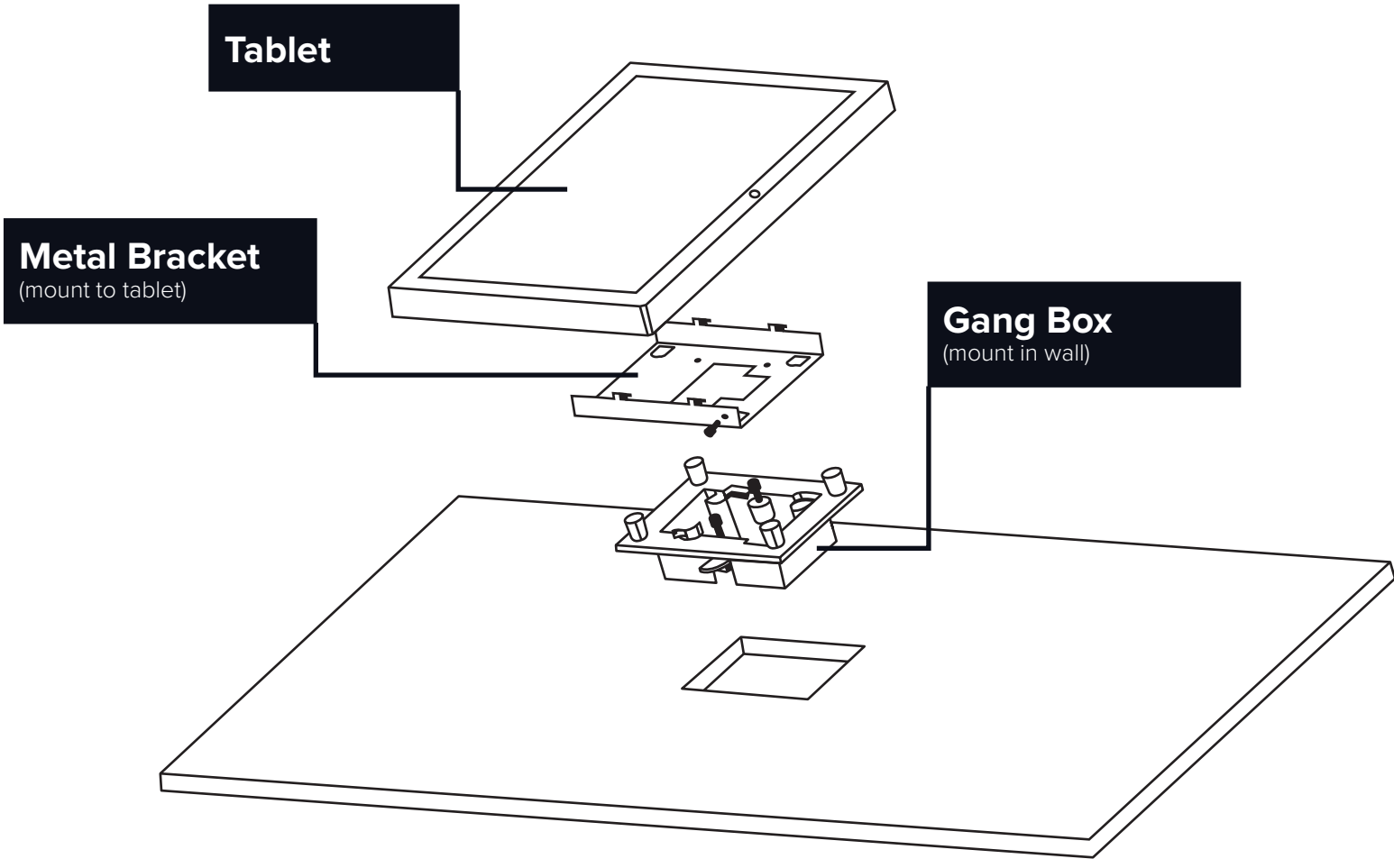
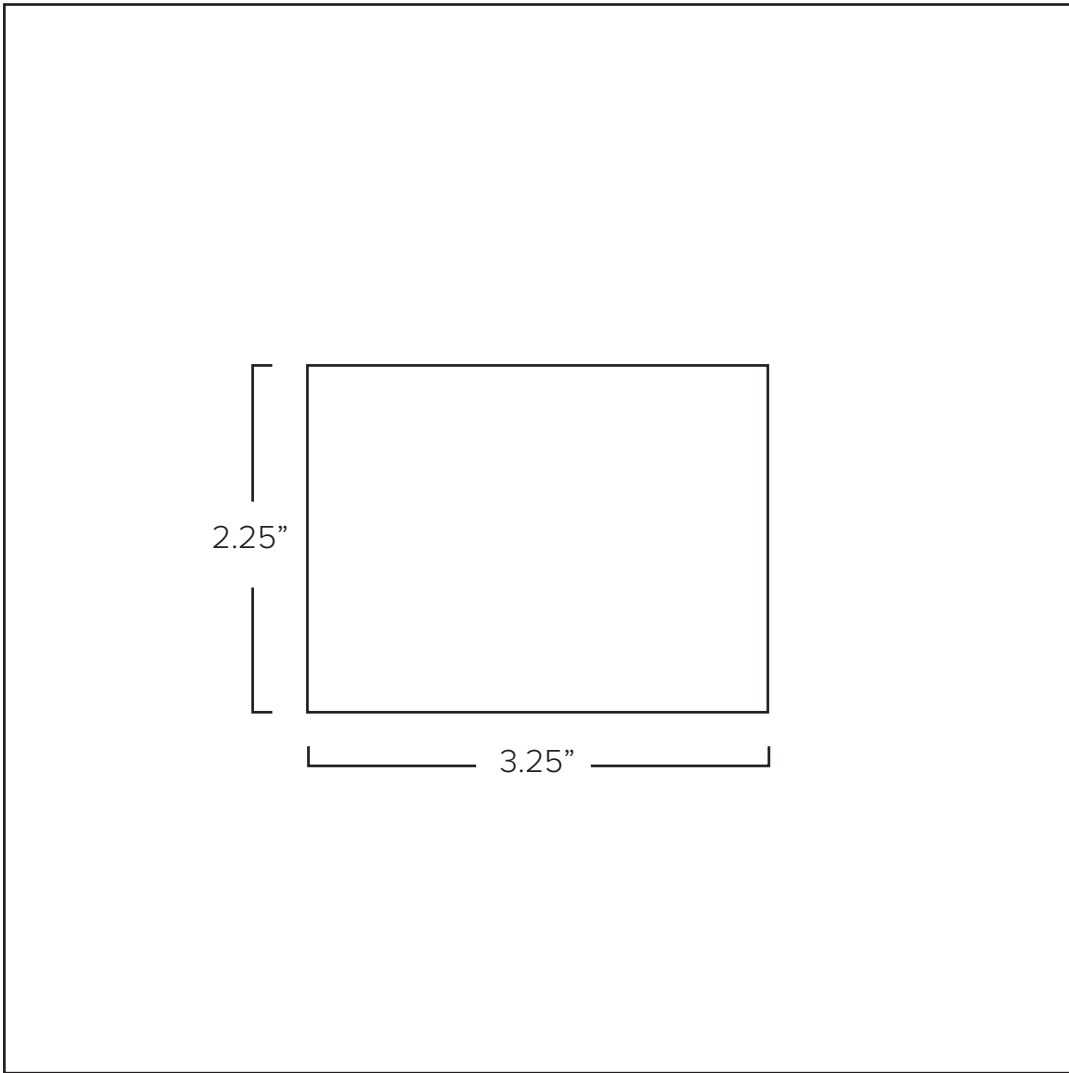


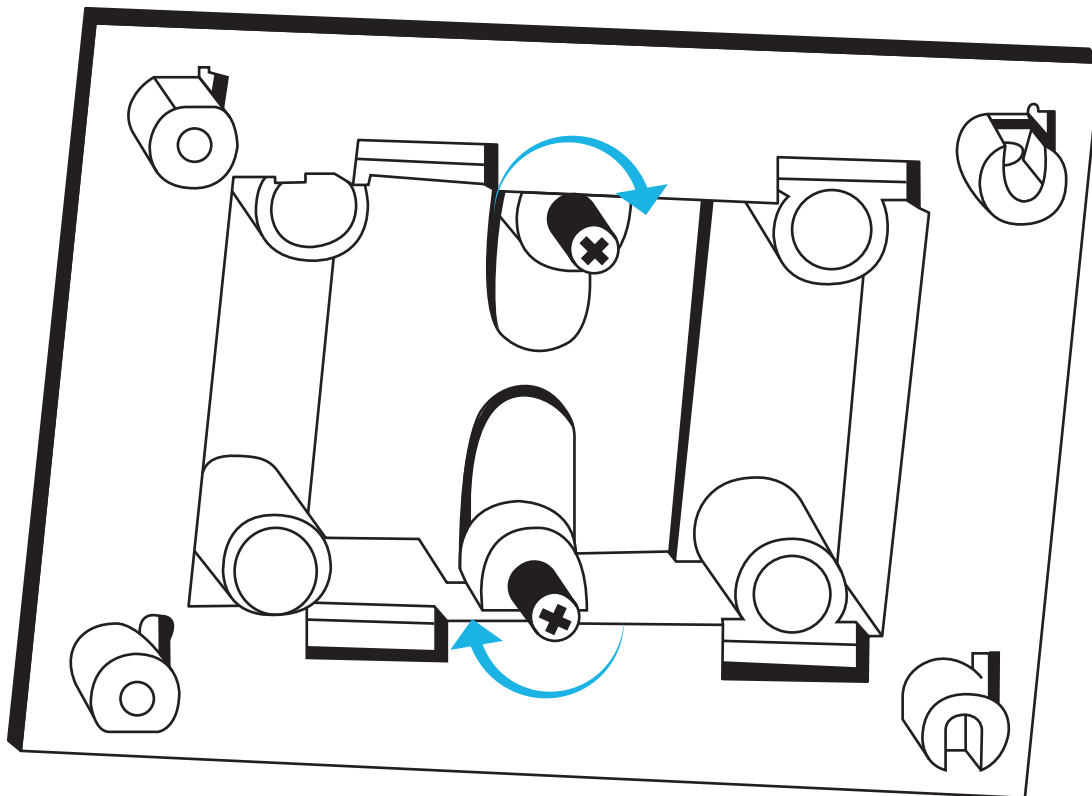
# Exploded Mounting Diagram:



**Step 1:** Cut hole in wall according to diagram below:

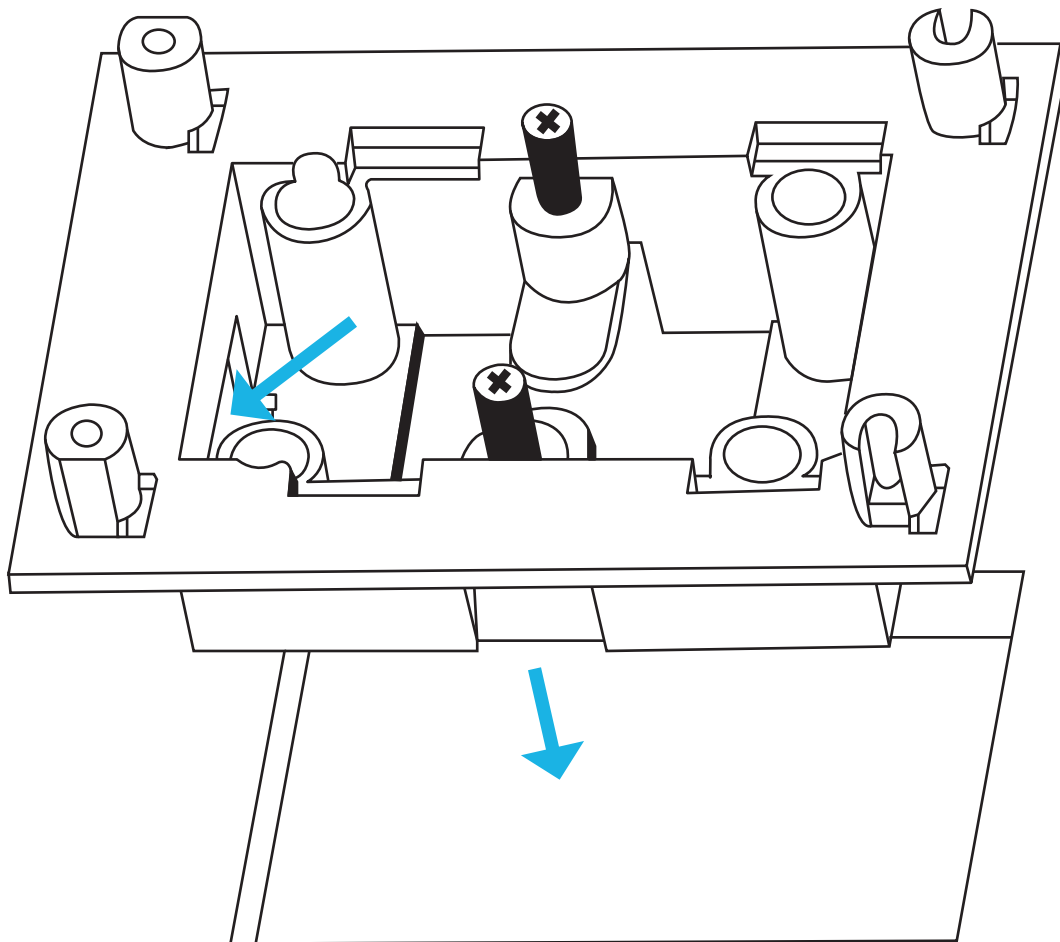


**Step 2:** Locate Gang Box and rotate metal tabs as shown:

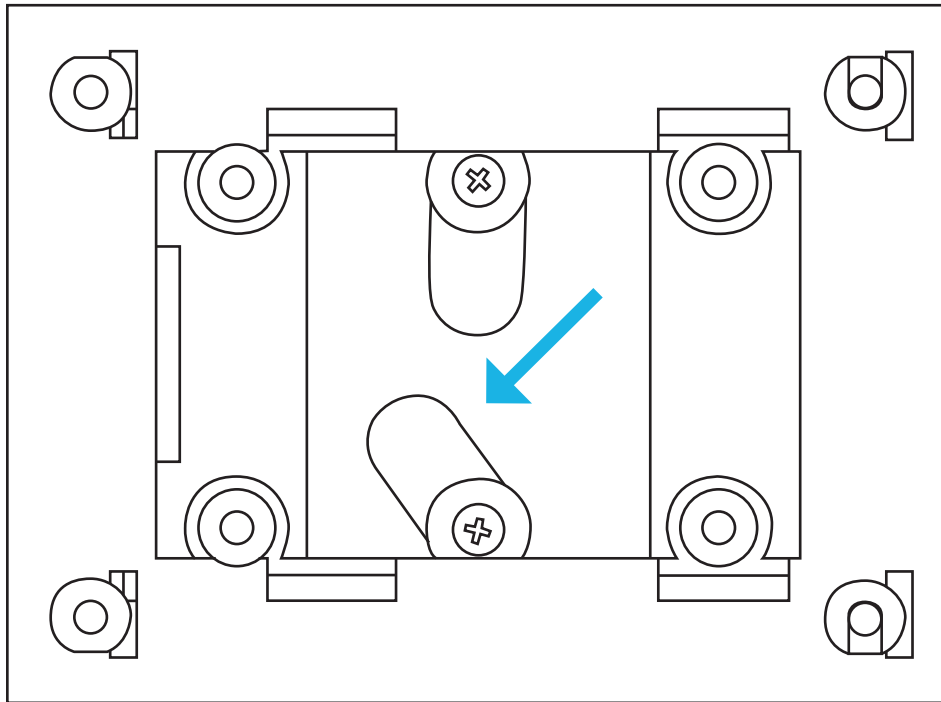


**Step 3:** Insert Gang Box into hole in wall.

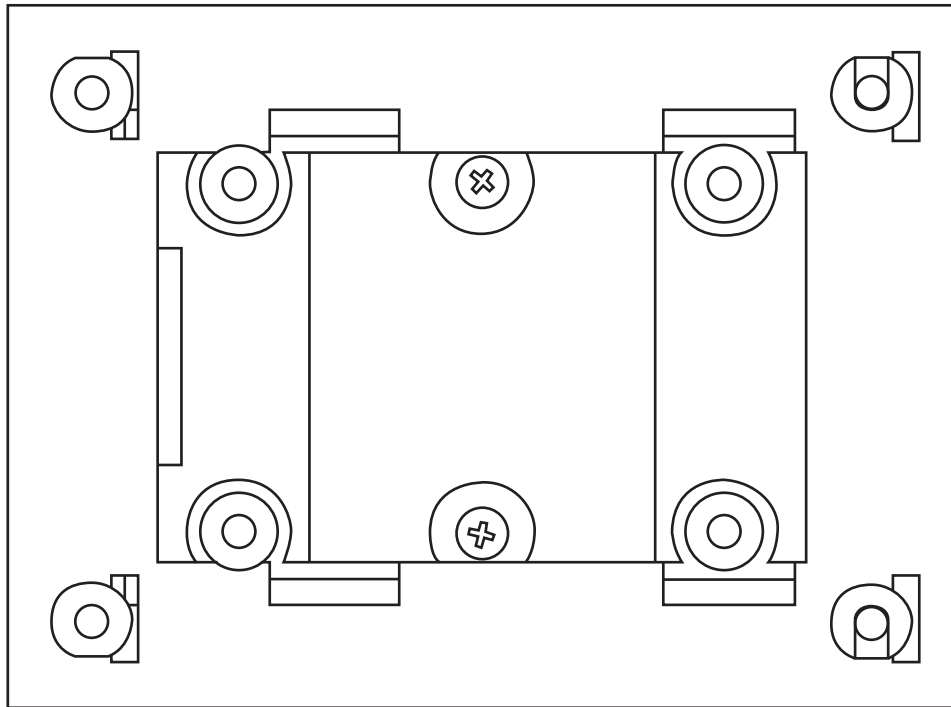
Make sure hole in Gang Box is oriented as shown so wires can be installed from below:



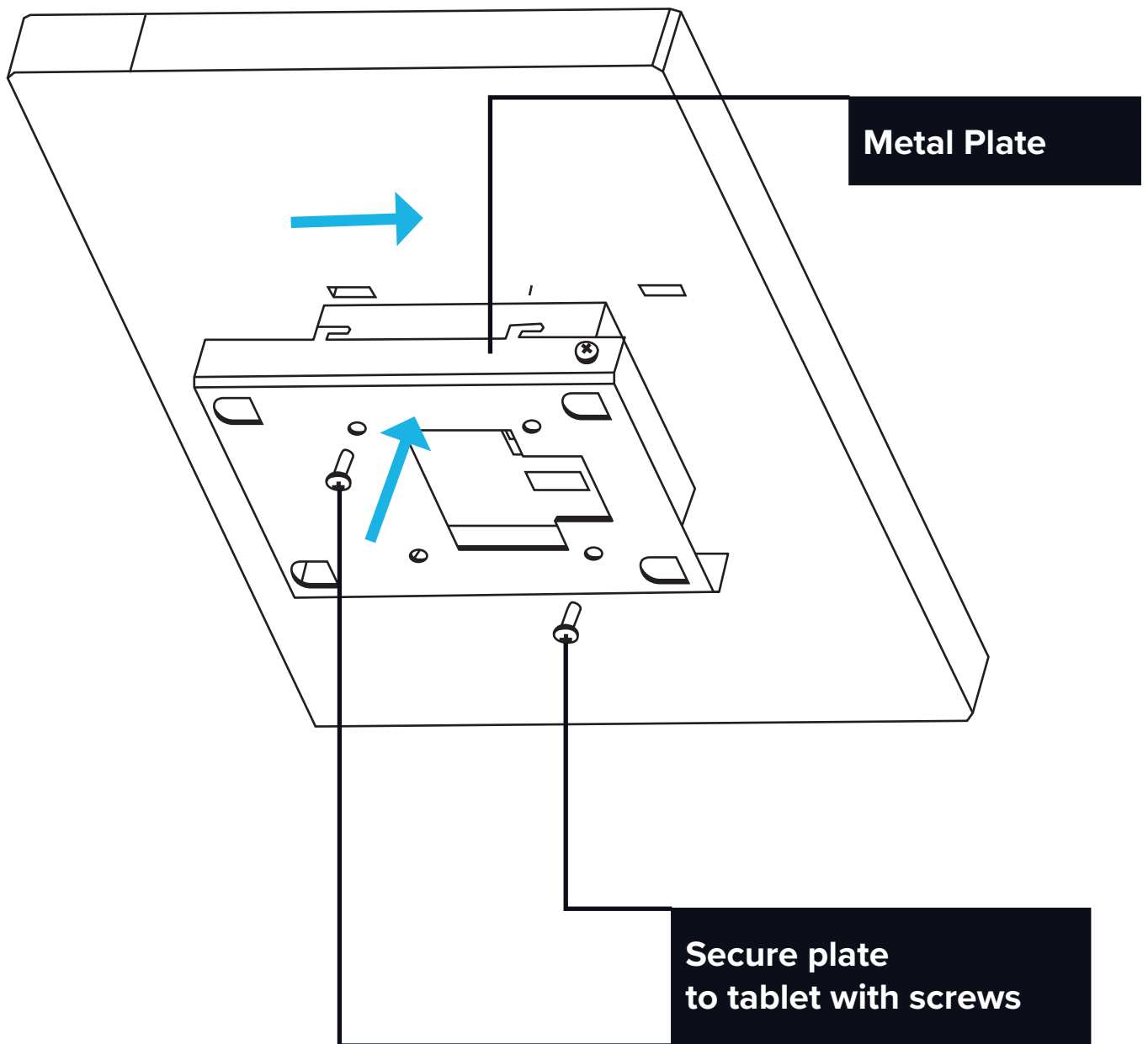
**Step 4:** Push screw in and rotate metal tabs as shown:



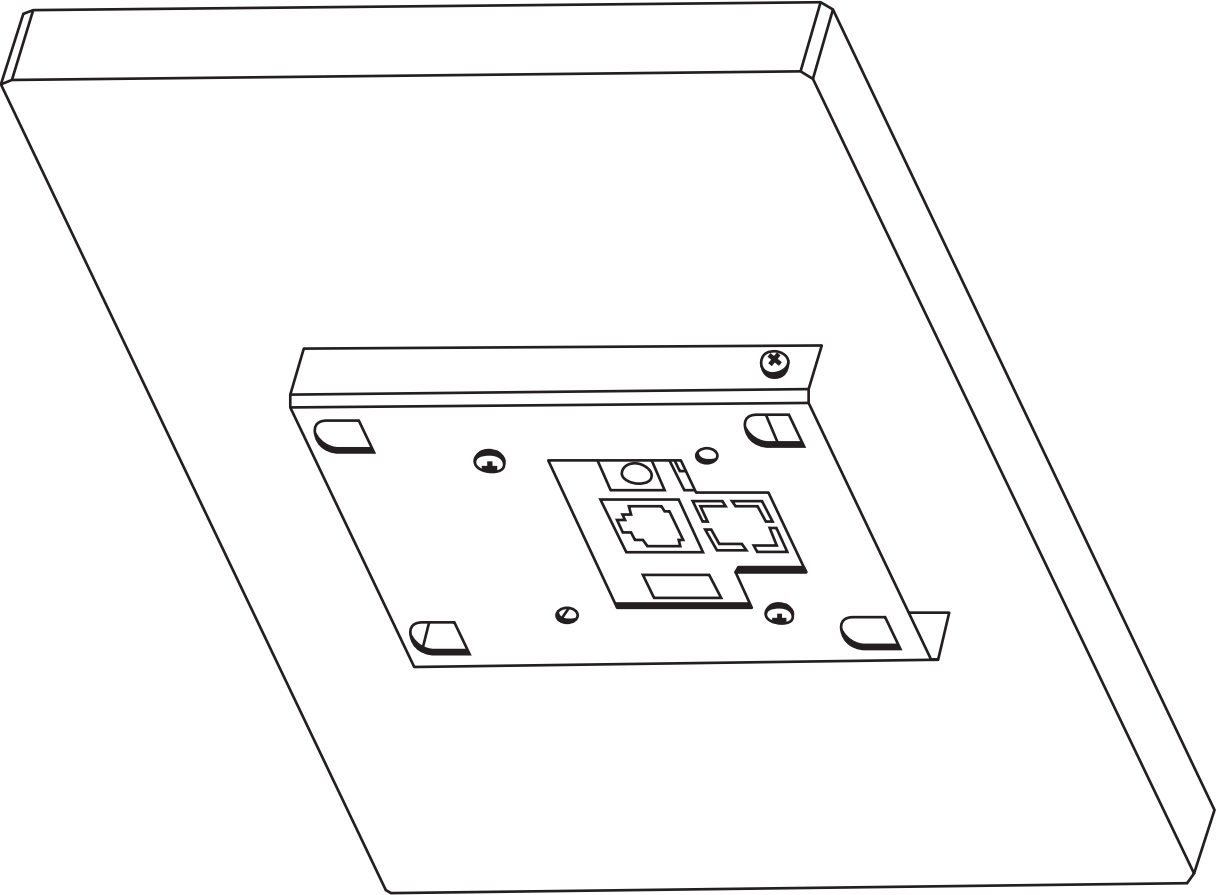
**Step 5:** Metal tabs should now not be visible — see below. Tighten screws to secure box to wall:



**Step 6:** Attach metal bracket to rear of tablet. Push the bracket into the tablet and slide up. Secure plate to tablet using screws as shown:

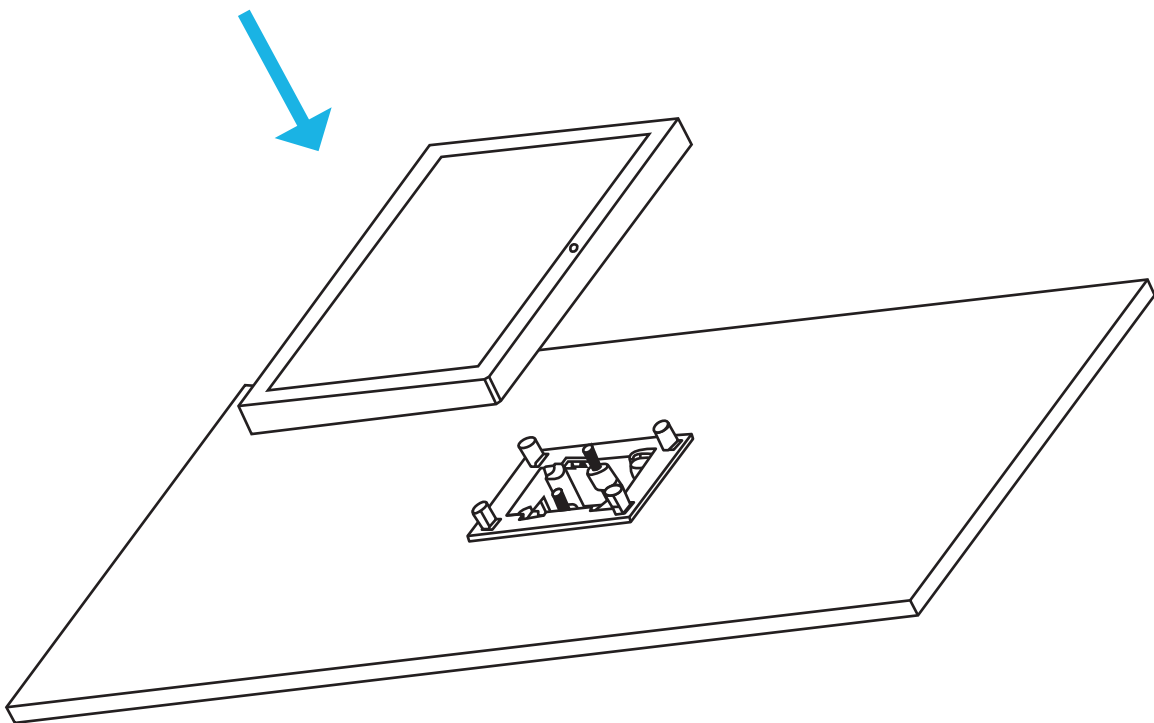


Metal Bracket correctly installed on tablet:

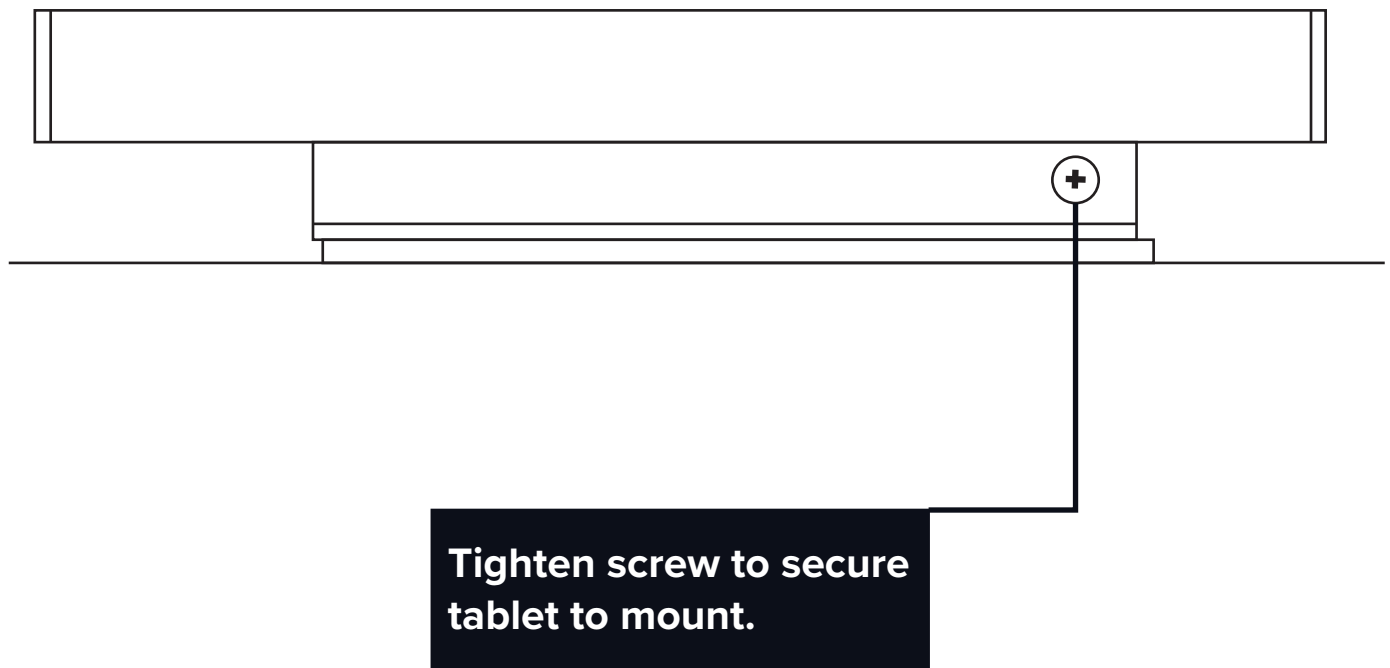




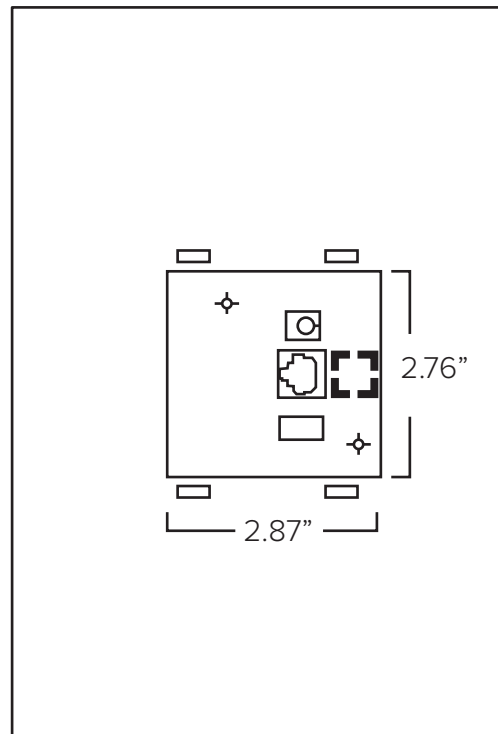
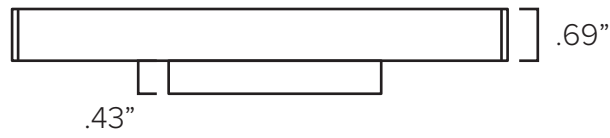
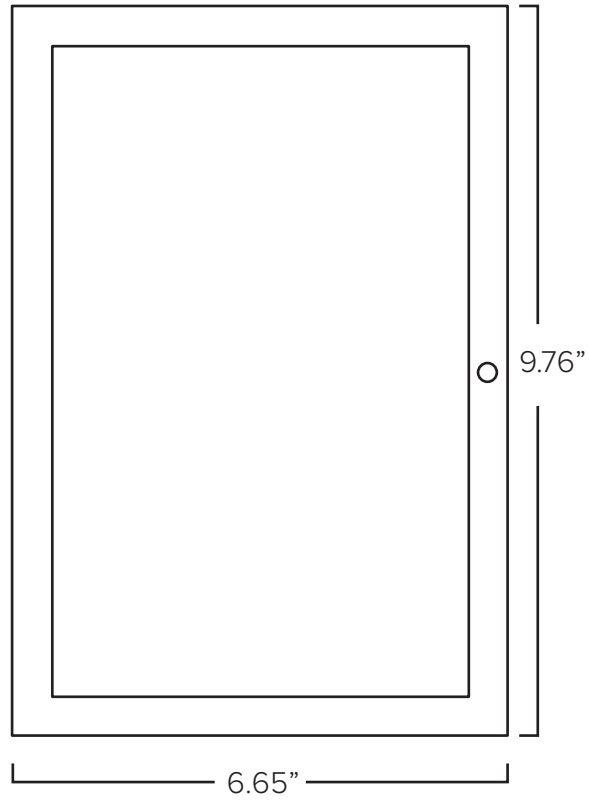
**Step 7:** Attach wiring to Tablet ports and align Metal Bracket with Gang Box. Push Tablet onto wall:



**Step 8:** Tighten screw as shown to secure Tablet to wall. Screws are located on both sides.



# Tablet Dimensions:



# Mount Dimensions (Gang Box):

